

WhisperTrac™

Super-quiet motorized solutions
for curtains or draperies





WhisperTrac™

MechoShade Systems yet again is setting a standard by offering two architecturally sleek and technically innovative solutions for low-voltage motorized curtains and draperies.

WhisperTrac™ motorized system:

- operates extremely quietly
- curves within the industry's tightest radius—8 in.
- offers multiple motor options, depending on the weight load (see load chart, page 5)
- can be plugged into a standard wall outlet, requiring no special wiring
- features a clean, monochromatic, European design
- can be controlled by radio frequency (RF), infrared (IR), a wall switch or third-party A/V, lighting or automated control systems
- is suitable for all residential, hotel and corporate applications
- satisfies American Disabilities Act (ADA) requirements

Both of the WhisperTrac™ 24v motors are powerful and technologically advanced.



The Heavy-Duty HD20 model:

- is the world's quietest motor for its size and scale and the most powerful
- draws draperies to a width of over 58 ft.
- holds drapery-weight loads up to 330 lbs. on straight tracks
- features 5 intermediate stop positions
- easily programmable by infrared (IR)
- offers a tandem-motor option that is available for extra-heavy drapery applications
- makes complex curves and multiple bends possible

The Medium-Duty MD32 model:

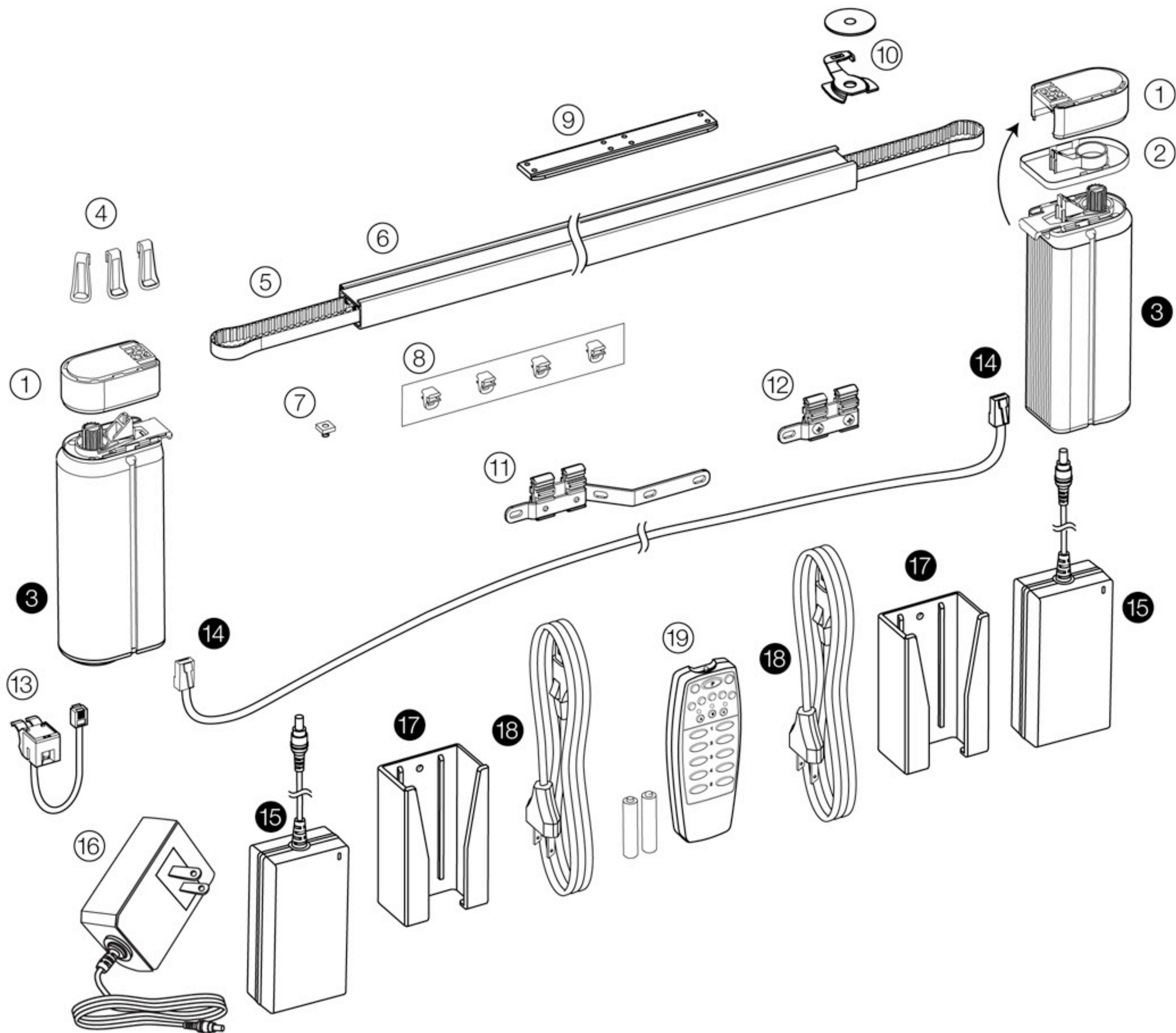
- functions in a conversationally quiet manner
- can be curved up to 32 ft.
- holds drapery-weight loads up to 88 lbs. on straight tracks (see load chart, page 5)
- is more economical than the Heavy-Duty HD20 model

Both the HD20 and MD32 models:

- operate with a decorator-style compatible paddle switch, 2- or 4-button IQ switch, a 15-channel infrared (IR) remote with receiving eye or radio-frequency (RF) receiver with a wireless wall switch or transmitter
- feature symmetrical gear sets that provide universal mounts for motor placement on either end of the track
- can be daisy chained with local and/or master controls
- easily interfaces with all third-party A/V, lighting and automated control systems through an internal network or a dry-contact closure
- is possible for IP addressing or RS232 programming via a MechoShade Systems IQ/485 network-interface accessory
- very quiet, as the name WhisperTrac™ implies

Elements of the WhisperTrac™ system

This configuration includes tandem optional accessories (indicated by numbers in black circles).



- 1 Drive-belt pulley
- 2 Drive-belt pulley cover
- 3 Motor**
- 4 Motor-mask hooks
- 5 Drive belt, 0.39 in.
- 6 Aluminum profile
- 7 End stop
- 8 Standard glider
- 9 Internal connecting bridge
- 10 Standard ceiling clamp
- 11 Overlap carrier

- 12 Underlap carrier
- 13 IR receiver
- 14 Motor-link cable**
- 15 HD20 Heavy Duty Motor Transformer**
- 16 MD32 Light Duty Motor Transformer
- 17 Transformer wall holster**
- 18 12-ft. power cable**
- 19 IR transmitter

● Parts indicated by the numbers in black circles and in boldface above are needed only for tandem installation.

**Maximum-Weight Load Table:
Heavy-Duty HD20 model with standard glider WHTR 4010 10 WH
(add 50% weight load with Roller Carrier)**

	3'	7'	10'	13'	16'	20'	23'	26'	30'	33'	36'	39'	43'	46'	49'	52'	56'	58'
	Maximum pounds																	
Straight	22	44	66	88	110	132	132	132	132	132	132	132						
Straight (tandem)							154	176	198	220	220	220	176	176	176	176	176	176
1 curve	22	44	66	88	110	110	110	110	110	110	110	110						
1 curve							132	154	176	198	198	198	198	154	154	154	154	154
2 curves	22	44	66	88	99	99	99	99	99	99	99	99						
2 curves (tandem)						110	132	154	176	176	176	176	176	132	132	132	132	132
1 large curve	22	44	66	88	99	99	99	99	99	99	99	99						
1 large curve (tandem)						110	132	154	176	176	176	176	176	132	132	132	132	132

**Maximum-Weight Load Table:
Medium Duty MD32 model with standard glider WHTR 4010 10 WH
(add 30% weight load with Standard Carrier)**

	3'	7'	10'	13'	16'	20'	23'	26'	30'	33'	
	Maximum pounds						Greater than 23': center draw only				
Straight	22	44	66	88	88	88	88	88	88	88	
1 curve	22	44	66	66	66	66	66	66	66	66	
2 curves	22	44	44	44	44	44	44	44	44	44	
Large curve	22	44	44	44	44	44	44	44	44	44	

- Tandem motor configuration is not available for the MD32 model (Use the HD20 configuration for tandem configuration.)
- Additional shipping charges may apply to tracks that are curved in the center.
- Weight loads stated are for draperies hung completely below the track.
- If draperies are mounted to cover the track, MechoShade Systems cannot warranty the system and/or the performance characteristics.
- Both models can be integrated together via IR, wall switches and/or third-party control systems.

LEGEND

Tandem = Dual-motor unit
Curve = Tight 8' radius bend from 10° to 90°
Large curve = Continuous radius bend

The weight-load tables above for the two models indicate the maximum total drapery weight permissible when using standard glider WHTR 4010 10 WH. This allows 3 gliders per foot, each with a maximum carrying weight of 2.2 lbs. per glider.

The maximum carrying weight for the upgraded WHTR 4030 WH PL roller carrier is 3.3 lbs. per carrier (table not shown.)



Roller glider
Stock number:
WHTR 4030 WH PL



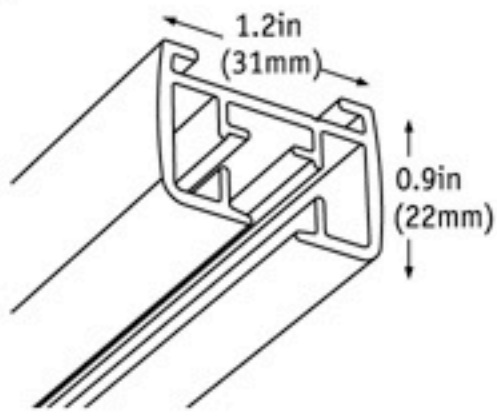
Standard carrier
Stock number:
WHTR 4010 10 WH

If the total drapery weight is more than 55 lbs., use heavy-duty ceiling plate WHTR 6055 10 ZP (see page 7).

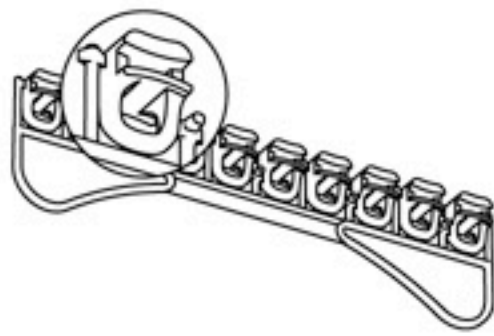
The drapery should not be in contact with the underside of the drapery track.
Note: Because the weight load per glider is greater than the maximum weight allowed on the standard glider (2.2 lbs.), please upgrade to the stronger WHTR 4030 WH PL roller carrier.

Components of the HD20 and MD32 models

Drapery track



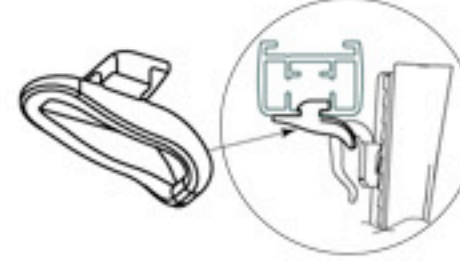
WHTR TRAK AL WH
Aluminum profile
23 ft.
Color: white



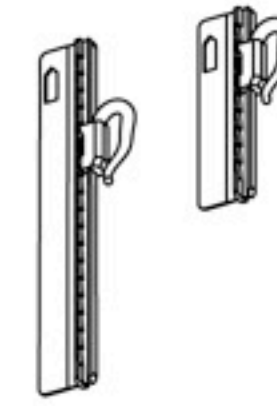
WHTR 4010 10 WH
Standard glider
(10 on a strip)
Color: white
(minimum 10 pieces)



WHTR 4030 WH PL
Roller carrier
(special order only)
100 pieces per pack
Color: white



WHTR 6010 00 WH
Glider projection for the
WHTR 2024 95 HK hook
100 pieces per pack
Color: white



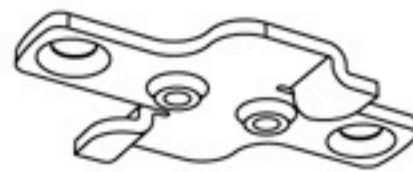
WHTR 2024 55 HK
Sew-in hook, 2.165 in.
10 pieces per pack
Color: white

WHTR 2024 95 HK
Sew-in hook, 3.75 in.
10 pieces per pack
Color: white

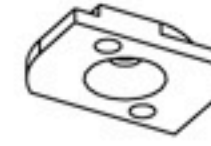
Ceiling mounts



WHTR 6050 49 ZP
Standard ceiling
clamp, including a washer
Total drapery weights of
less than 55 lbs

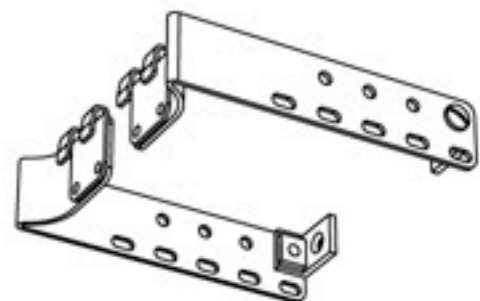


WHTR 6055 10 ZP
Heavy duty ceiling plate
Total drapery weights of
less than 220 lbs.
Recommended for extra-
heavy or curved applications
Color: white

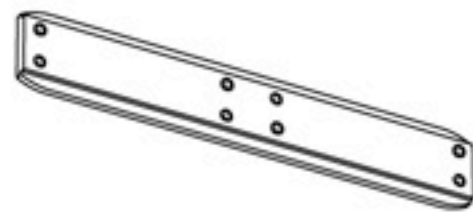


WHTR 6055 20 35
Mounting plate
for a recess track
Color: white

Accessories



WHTR 6059 RS WH
Wall-return set (left and right)
6 inches., for wall and ceiling
mounting; can be trimmed
(minimum 3.5 inches)
Color: white



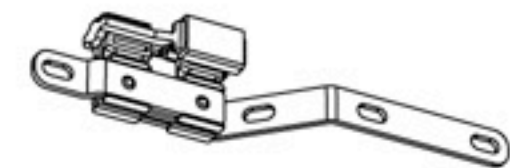
WHTR 6052 00 WH
Internal connecting bridge
standard for tandem
configurations



WHTR 6057 EX WH
Extension wall bracket
Projects from 2.75 inches to
6 inches



WHTR 6051 WS WH
Wall support bracket
1.575 inches



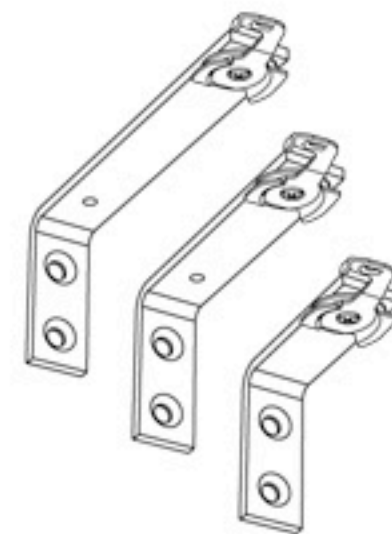
WHTR 6274 20 LG
Overlap carrier



WHTR 6275 20 AD
Overlap carrier used with
WHTR 6274 20 LG



WHTR 6280 PR S
Manual-release master



WHTR 2015 10 WH
Wall bracket, 4 in.

WHTR 2015 07 WH
Wall bracket, 3 in.

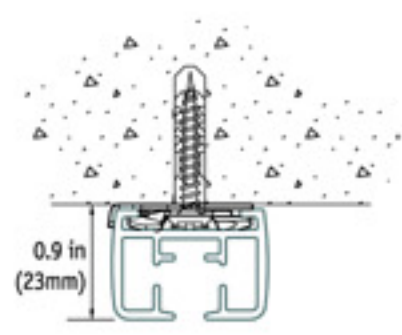
WHTR 2015 05 WH
Wall bracket, 2 in.

Note: Price does not include
the ceiling fixing clamps
(shown), as they are included
in the standard package.

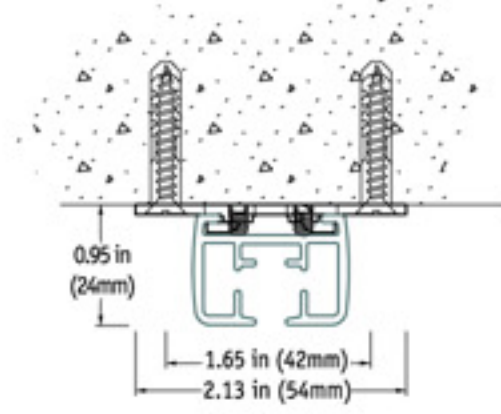


WHTR 1000 BD PS
Drive-belt pulley

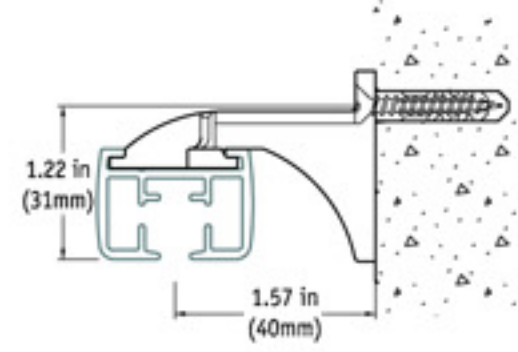
Drapery-track mounting examples



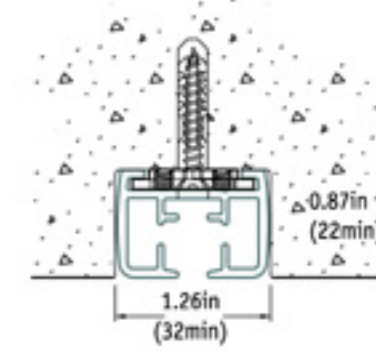
Ceiling mount
with ceiling clamp
WHTR 6050 49 ZP



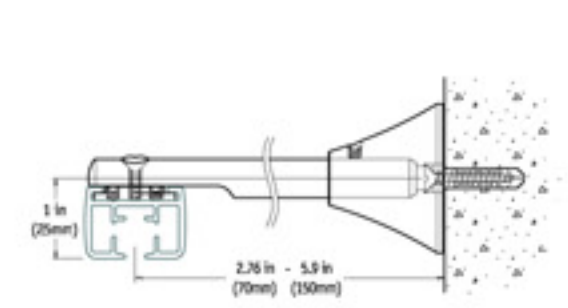
Ceiling mount
with ceiling plate
WHTR 6055 10 ZP



Wall mount
with wall-support bracket
WHTR 6051 WS WH

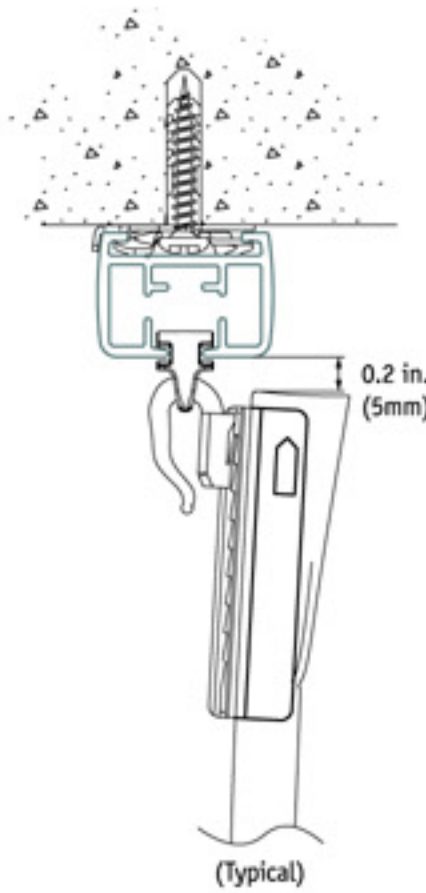


Recessed fixing
with mounting plate for
recess track
WHTR 6055 20 35

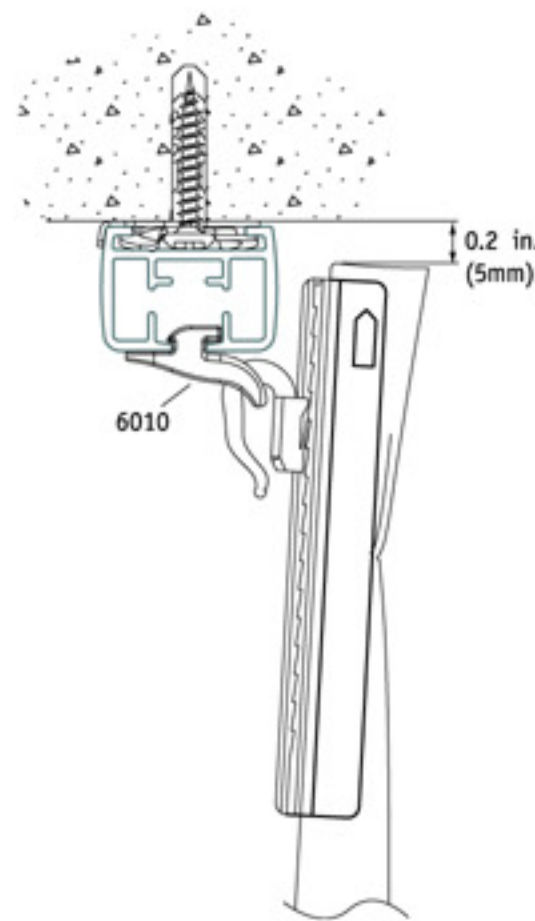


Wall mounted
with adaptable extension
bracket
WHTR 6057 EX WH

Shown with the optional sew-in adjustable hook.

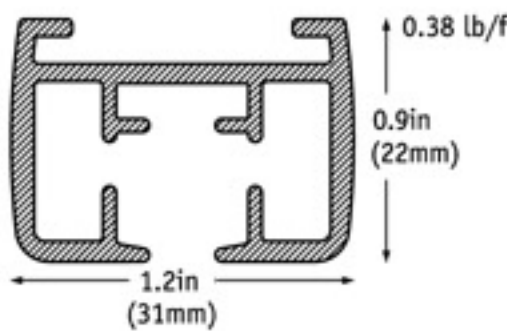


WhisperTrac™ with standard
glider WHTR 4010 10 WH



WhisperTrac™ with glider
projection WHTR 6010 00 WH
Maximum drapery weight load is
33 lbs. (Straight track only,
less than 8 ft.)

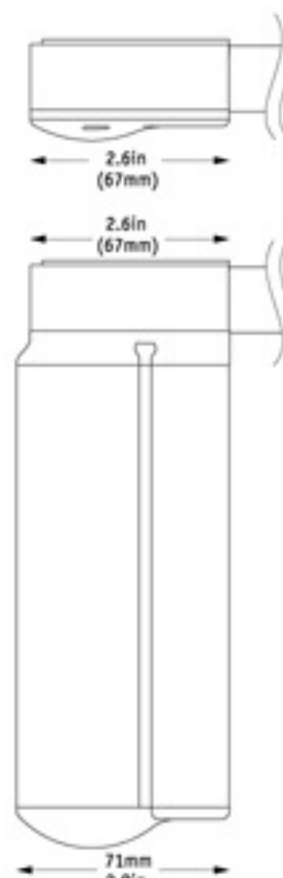
If draperies are mounted to cover
the track, MechoShade Systems
cannot warranty systems and/or
performance characteristics.



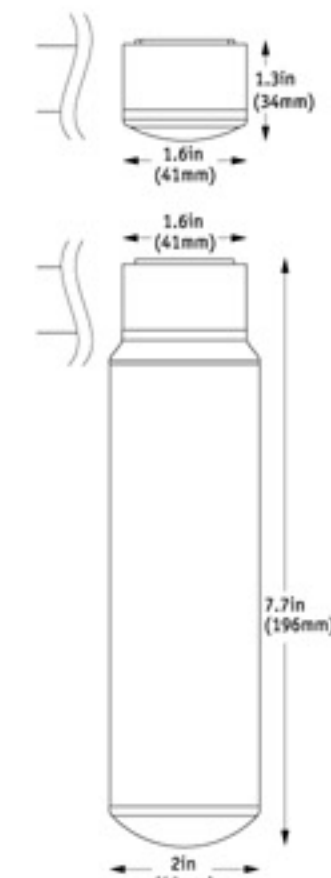
Guidelines for Installation

- An extra bracket should be installed at the drapery stacking positions.
- Maximum total drapery weight with ceiling fixing clamp WHTR 6050 49 ZP is 55 lbs. For ceiling mounts with special curves and heavy draperies up to 220 lbs., use heavy-duty ceiling plate WHTR 6055 10 ZP. Mount the brackets 24 in. to 31 in. apart.
- Wall mount with wall support bracket WHTR 6051 WS WH that project 1.6 in.
- Wall mount with adjustable extension wall bracket WHTR 6057 EX WH that project 2.8 in. to 6 in.
- Weight per bracket should not exceed 22 lbs., depending on mounting surface.

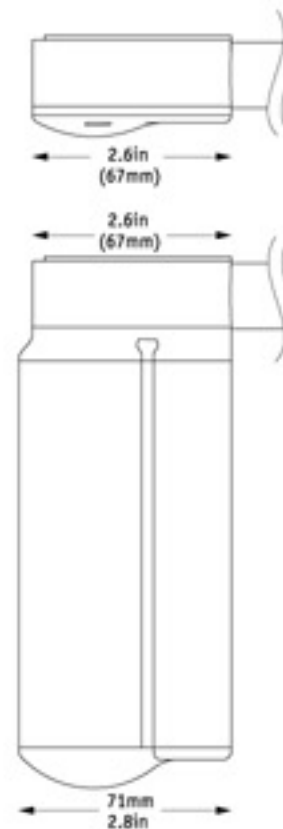
WhisperTrac™ motors



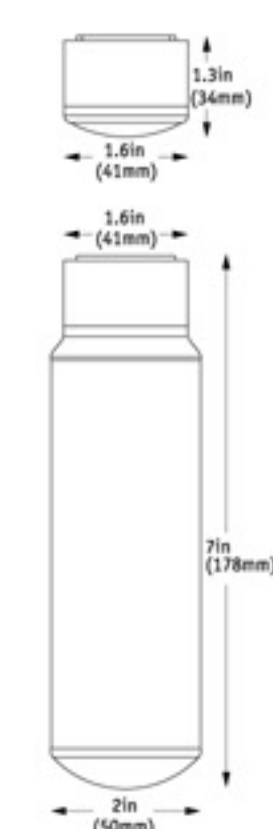
HD20 model
side dimensions



HD20 model
front dimensions



MD32 model
side dimensions



MD32 model
front dimensions

Warranty

- 5-Year Limited Warranty on all items is subject to the maximum number of operations and MechoShade Systems' general terms and conditions of sales as stated in the fabricated-shade price list.
- MechoShade Systems, Inc., will not warranty systems that are installed without its own approved mounting hardware.
- The warranty is supported only when using WhisperTrac™ original hardware.

Electronic accessories and switches



WHTR 6040 21 01
IR receiver
At least 1 receiver is required in order to install the WhisperTrac™



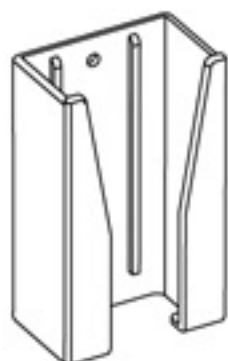
WHTR 6040 11 15
IR transmitter
At least 1 transmitter is required in order to install the WhisperTrac™



WHTR 1001 TE CA
Limit-setting switch

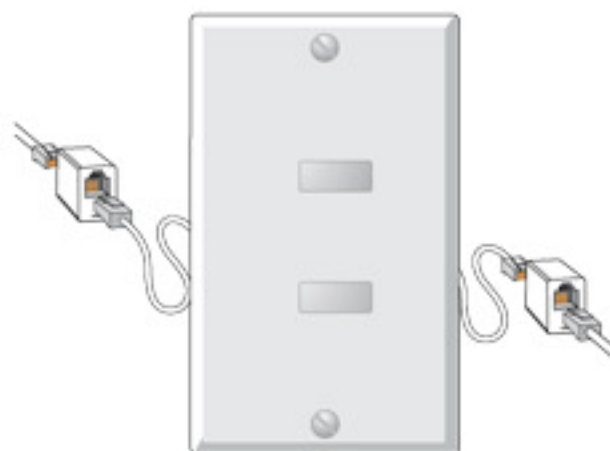


WHTR 1200 PO LE
Power lead 12'

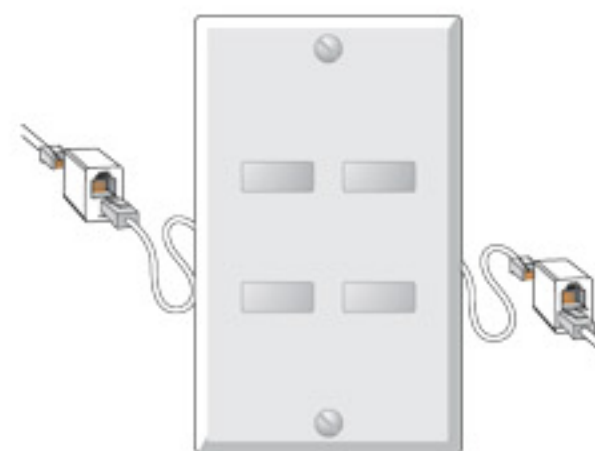


WHTR 1151 WA HO
Transformer wall holster

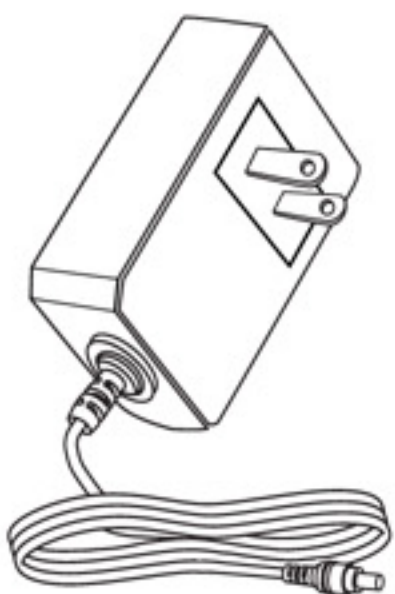
Note: An installer must have 1 IR receiver and 1 IR transmitter in order to set the limits on the system.



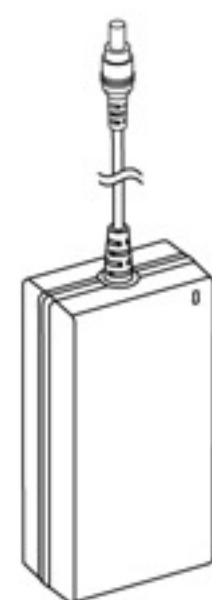
WHTR IQ02 WH WH
2-button switch with adaptor cable and coupler connector



WHTR IQ04 WH WH
4-button switch with adaptor cable and coupler connector



WHTR 1101 TR 24
Single 24 volt light duty transformer



WHTR 1100 TR 24
Single 24-volt heavy duty transformer



ESWX 0728 ST WH
Decorator paddle switch (DPDT)



INTE 0454 DR CO
Receiver
RTS dry-contact interface



**MechoShade
Systems**
The Architect's Choice™

MechoShade Systems, Inc.
Corporate Headquarters
42-03 35th Street
Long Island City, NY 11101
T: +1 (718) 729-2020
F: +1 (718) 729-2941
info@mechoshade.com
www.mechoshade.com

Copyright © 2007, MechoShade Systems, Inc. WhisperTrac, WindowManagement and MechoShade are registered trademarks of MechoShade Systems, Inc. Specifications subject to change without notice. Reproduction of the text, data or illustrations herein is forbidden. This literature is printed on 100% post-consumer paper; the ink is soy-based.



L10002.1007